

HC997



DESCRIPTION

- Multifunction solenoid driven dosing pump with constant and proportional dosing
- Functions include Proportional pulse - 4-20mA & timer options
- PBT case for high mechanical resistance-eco-friendly-ergonomic low flammability
- Removable connections for easy maintenance of the pump.
- Level probe input
- Digital injection frequency setting 0-100%
- Power supply: 220VAC – 50/60Hz.
- On-Off switch
- IP65 protection
- Digital control and settings by 5 keys and LCD display backlight 2x16
- Manual priming valve
- Wall or foot mounting (brackets included in the kit)
- PVDF pump head - high chemical compatibility

STANDARDS

- no. 2004/108/CE EMC directive
- no. 2006/95/CE “DBT Low Voltage Directive”
- no. 2011/65/UE, 2002/96/CE “RoHs and WEEE directives”

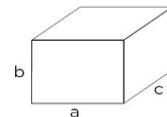
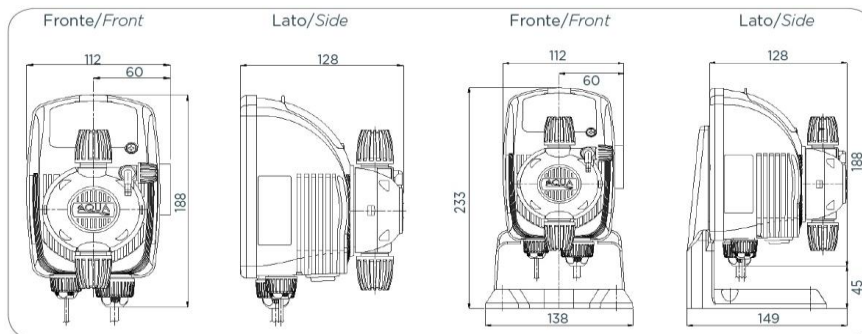


TECHNICAL FEATURES

HC997	Standard Version	Upon Request
Pump head	PVDF	-
Pump body	PBT	-
Diaphragm	PTFE	-
Balls	PTFE	PYREX/ceramic
Body Valve	PVDF	-
O-rings	Viton®	Dutral®
Spring loaded injection valve	Hastelloy/PTFE	Hastelloy - ceramic
Injection fitting	PVDF	-
Suction & air bleed tube	PVC	-
Delivery tube	PE	PTFE
Foot valve	PVDF	-
Power supply	230v	-



DIMENSIONS



a x b x c: 192 x 160 x 250 mm: Kg:2.90

Code	Model	Flow rate l/h	Pressure bar	No. of strokes spm	Injection volume ml/stroke	Voltage volt	Consumption watt	Hydraulic Connection mm	Pump Head	Price	B
AD9710001000 0	PDE HC997-1	2	8	150	0.22	230	18	4x6	PVDF 1/2"	£351.00	
		5	5		0.55						
		7	2		0.77						

Other flow rates and pressures are available upon request. Please contact us for further information



INSTALLATION KIT

Code	Description	Price	
ADSP6000078	PE delivery tube 4x6mm 2m length	£2.90	C
ADSP6000546	PVC suction/bleed hose 4x6mm 2m length	£2.04	C
ADSP6000028	Footvalve strainer PVDF-PTFE-VT 4x6	£24.26	C
ADSP6200031	Injection valve ball ½" PVDF-PTFE-VT 4x6	£27.57	C
ADSP6020221	Wall fixing bracket	£5.47	C
ADSP6000041	Anchors & screws	£0.52	C
ADBAS100	Foot/tank mounting bracket	£16.55	B



ACCESSORIES & SPARE PARTS

Code	Description	Price	B
ADSLG	Level probe 2mt cable with foot filter bracket and Hirshmann connector	£34.19	



Code	Description	overall length mm	Adjustable Length mm	Connections	Tank Size litres	Connector	Price	B
ADLASM20B0	Low level suction lance	490	120-390	4x6mm	30	HM	£102.47	
ADLASM10B0	Low level suction lance	700	120-600	4x6mm	50-100	HM	£103.95	
ADLASM30B0	Low level suction lance	940	120-840	4x6mm	200-300 L	HM	£109.23	



Code	Description	Flow rate lt/h	Pressure bar	Connection	Price	C
ADSP9000100	Pump head HC150-151-897-997 PP-GL-VT	1-14	20	4x6mm	£53.45	
ADSP900P000	Pump head HC150-151-897-997 PVDF-PTFE-VT	1-14	20	4x6mm	£85.61	



Code	Description	Price	C
ADSPHC8_9_SP	HC 897/997 PVDF Wet end spares kit	£58.74	
ADSP9005P00	Suction Valve	£19.51	
ADSP9005P01	Delivery valve	£19.51	
ADSP9200001	Diaphragm	£19.82	
ADSP5007200	Diaphragm O ring	£1.05	



Code	Description	Price
TANKMOUNT	When a pump, tank, and bracket are ordered we can pre-drill the tank for ease of installation. This includes fixings mounted into the tank at no extra cost	FOC



Code	Model	Size (Øxh) mm	Volume (l)	Price	
ADTANK0025	PE tank (Rectangular)	340x250x355h	25	£68.50	B
ADTANK006	PE tank	425x500	50	£102.91	A
ADTANK010	PE tank	500x680	100	£137.19	A
ADTANK020	PE tank	655x795	200	£165.27	A
ADTANK030	PE tank	655x1030	300	£274.38	A



TANKS

Code	Model	Size (Øxh) mm	Volume (l)	Price	
ADVVIC0025	PE Bund	425x300	25	£43.14	B
ADVVIC0025R	PE Bund	560x455x185h	25	£65.85	B
ADVVIC005	PE Bund	680x290	50	£99.78	A
ADVVIC010	PE Bund	810x350	100	£121.62	A
ADVVIC020	PE Bund	975x400	200	£149.67	A
ADVVIC030	PE Bund	940x630	300	£190.21	A



BUNDS

Code	Model	Price	B
PVCHOSE4/6	30 metre coil 4x6mm PVC hose	£19.25	
PEHOSE3/8	30 metre coil 3/8" MDPE hose	£41.00	
PEHOSE4/6	30 metre coil 4x6mm MDPE hose	£29.33	
PTFE4/6HOSE	4x6mm PTFE hose (Per metre)	£4.50	
PEHOSE4/6DW	Double wall 30 metre coil 4x6mm PE hose (Outer LDPE 10x12mm)	£105.00	
PTFE4/6HOSEDW	Double wall 30 metre coil 4x6mm PTFE hose (Outer LDPE 10x12mm)	£230.00	



PE HOSE

PVC HOSE